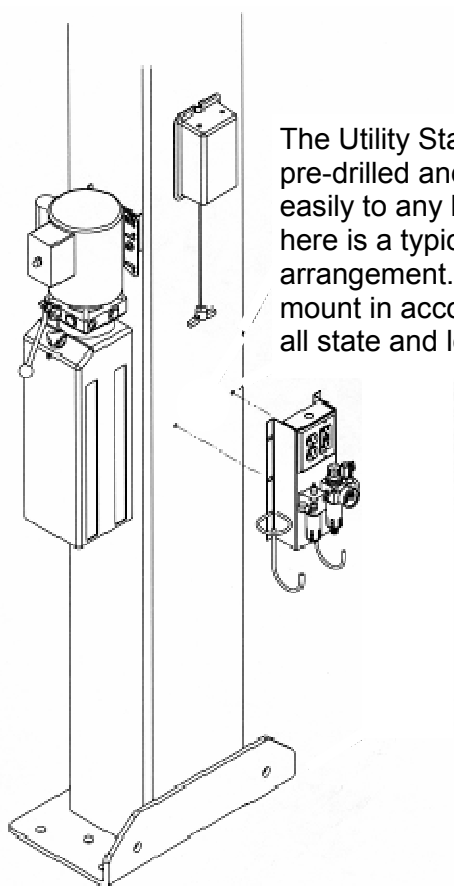


Industrial / Automotive Utility Stations

Industrial grade Utility Station is designed to eliminate the problems found in commercial grade box.

- Easy to install
- Adapts to any lift
- Electrical outlets equipped with 20 amp industrial GFI protection
- Electrical outlets located above the air service to prevent moisture damage and tangling
- Air service thru 2 outlets: one un-lubricated for tire inflation and one lubricated for pneumatic tools
- Air service filter element and lubricator filler port are easily accessible
- Nickel plated ball valve shut-off
- Powder coated finish for durability and long life



The Utility Station comes pre-drilled and mounts easily to any lift. Shown here is a typical mounting arrangement. Be sure to mount in accordance with all state and local codes.



Air components, such as Filters, Regulators, and Lubricators are also available separately. Contact Suburban for more information.

Part #	Description
21999-0081	Suburban Automotive Industrial Grade Utility Station
SA21999-0087	Replacement Filter Element