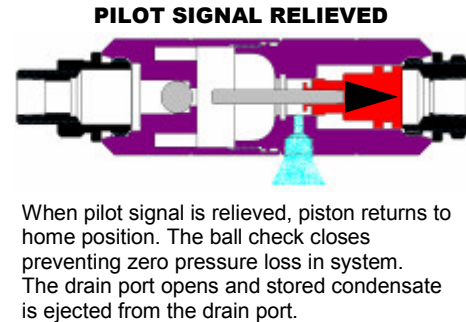
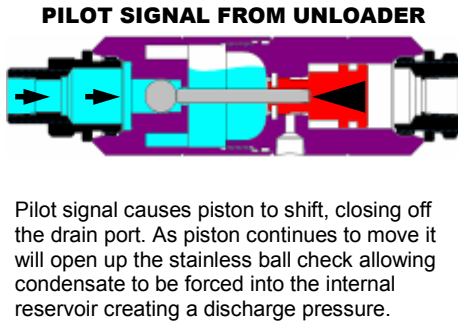
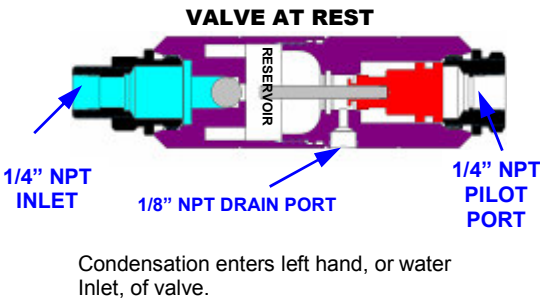


Moisture Minder® II Automatic Drain Valve P/N 142-0000

**ZERO LOSS ENERGY EFFICIENT DRAIN
RATED FOR UP TO 5 HP**

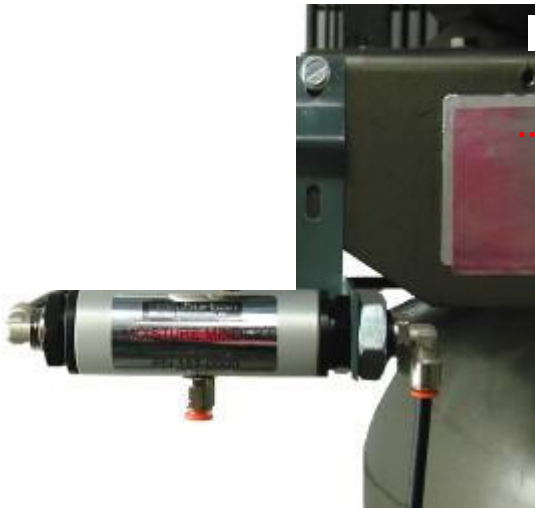


- Requires No Electricity
- Rated For Up To 600 PSI
- Lowest Pressure Drop Of Any Automatic Drain
- Stainless Steel and Anodized Aluminum Construction
- Automatically Cycles Off Unloader Line
- Easy Installation
- Typical Applications: HVAC, Dental, Medical, Handicap Accessible Doors, Beverage Compressors and Fire Sprinkler Systems.



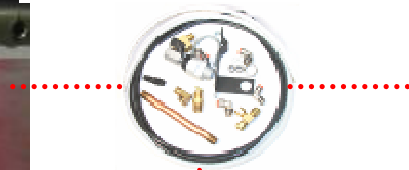
UNLIMITED MOUNTING OPTIONS

Moisture Minders® are *UNIQUE!* They do not have to be located beneath the tank or filter.



MOTOR PLATE MOUNT

OPTIONAL INSTALLATION KIT



FILTER MOUNT



TANK MOUNT

Length	6 1/2"
Diameter	1 5/8"
Weight	1.0 Lbs.